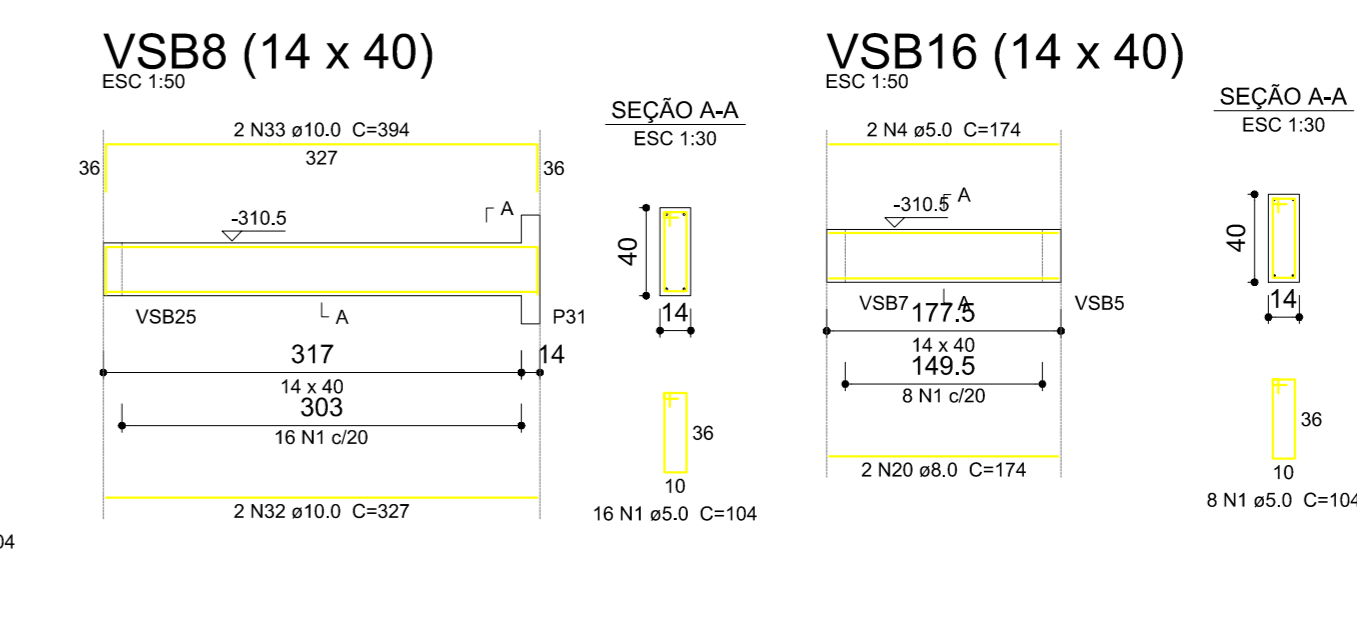
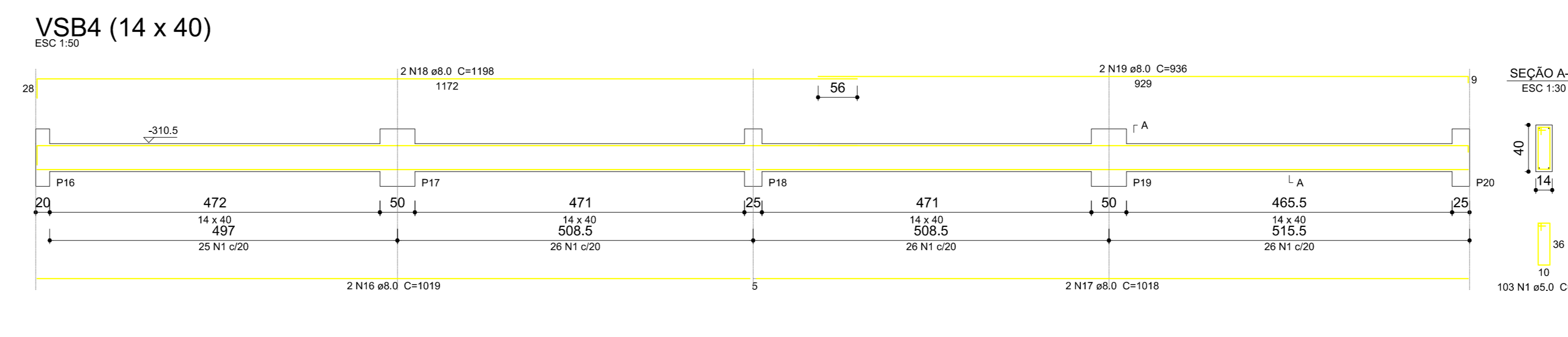
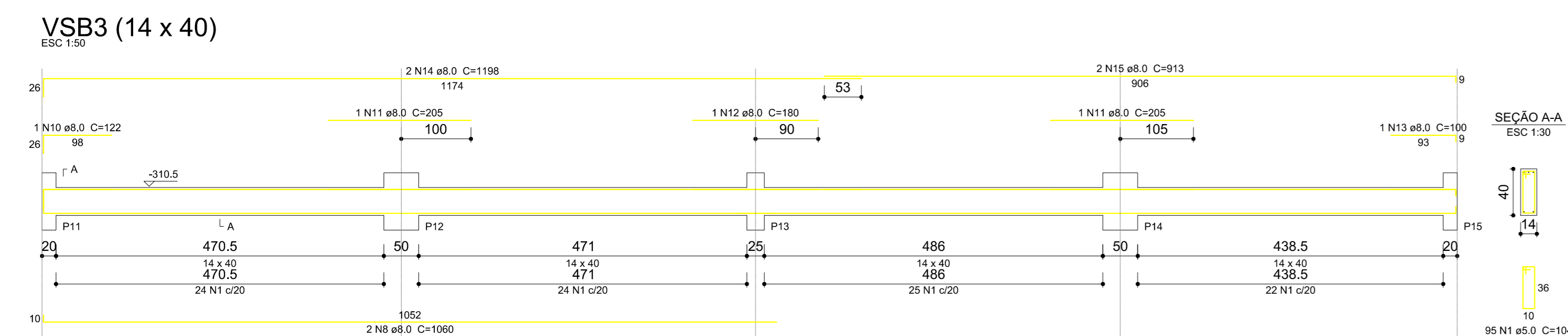


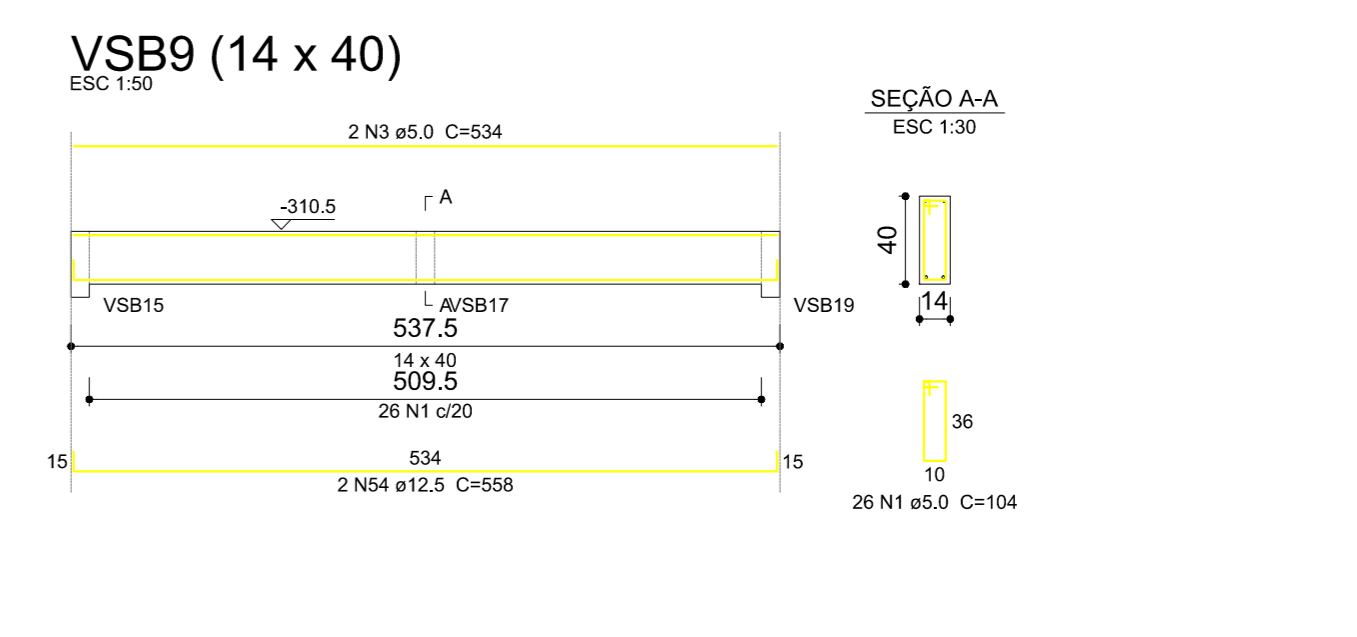
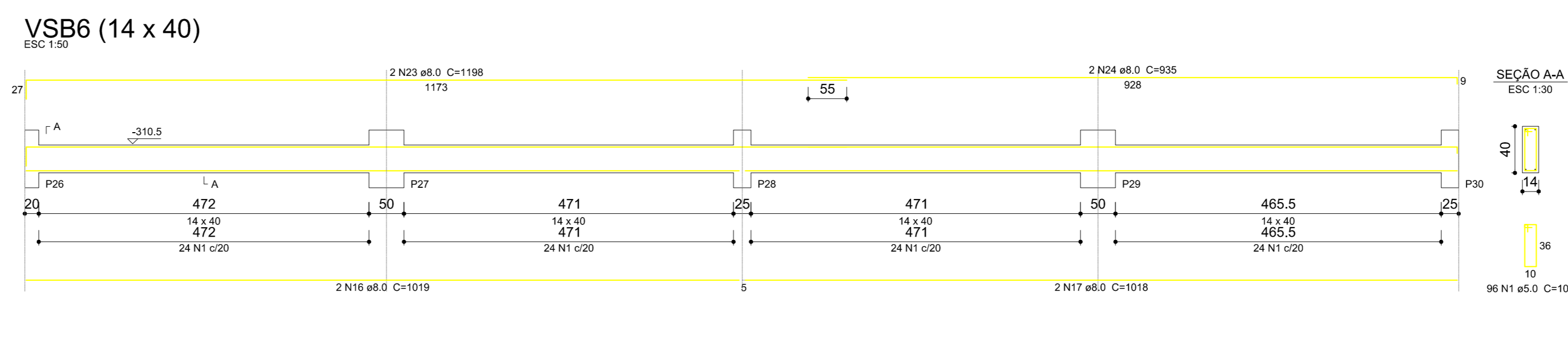
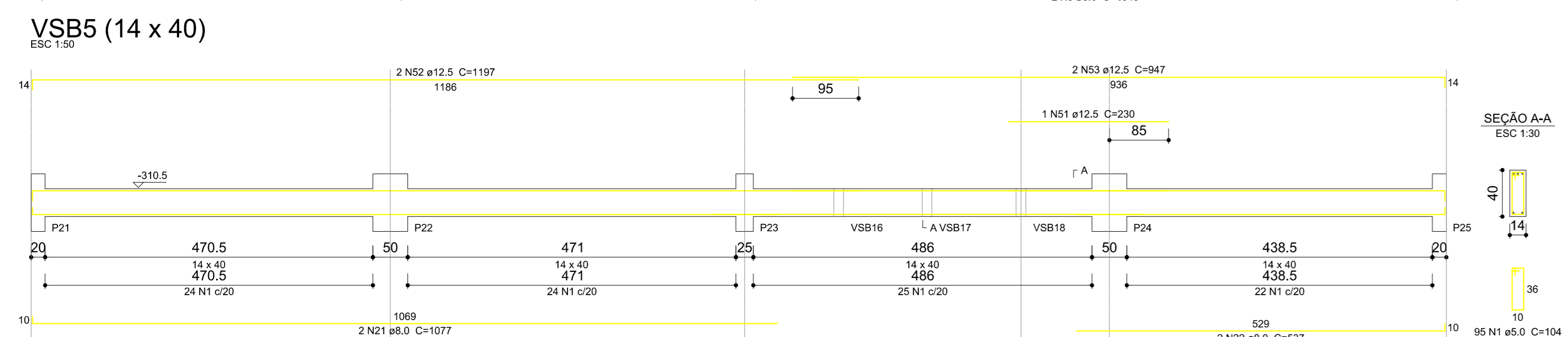
#### Relação do aço

CASO	N	DIAM	Q	UNIT	C.TOTAL
1	5.0	1105	104	114520	
2	5.0	2	163	326	
3	5.0	4	834	3336	
4	5.0	2	174	348	
5	5.0	2	359	718	
6	5.0	2	217	434	
7	5.0	2	562	1124	
8	5.0	4	1060	4240	
9	5.0	4	1043	4172	
10	5.0	1	122	122	
11	5.0	2	225	450	
12	5.0	1	180	180	
13	5.0	2	190	380	
14	5.0	2	1198	2396	
15	5.0	4	1019	4076	
16	5.0	4	1018	4072	
17	5.0	2	936	1872	
18	5.0	2	1198	2396	
19	5.0	2	174	348	
20	5.0	2	1077	2154	
21	5.0	2	537	1074	
22	5.0	2	1198	2396	
23	5.0	2	835	1670	
24	5.0	2	835	1670	
25	5.0	2	1022	2044	
26	5.0	2	1022	2044	
27	5.0	2	1022	2044	
28	5.0	2	1022	2044	
29	5.0	2	1022	2044	
30	5.0	2	1022	2044	
31	5.0	2	1022	2044	
32	5.0	2	1022	2044	
33	5.0	2	384	768	
34	5.0	2	1198	2396	
35	5.0	2	1198	2396	
36	5.0	2	859	1718	
37	5.0	2	886	1772	
38	5.0	1	230	230	
39	5.0	1	230	230	
40	5.0	1	276	276	
41	5.0	1	439	439	
42	5.0	2	1198	2396	
43	5.0	2	1149	2298	
44	5.0	2	227	454	
45	5.0	2	1197	2394	
46	5.0	2	990	1980	
47	5.0	1	270	270	
48	5.0	2	1197	2394	
49	5.0	2	1017	2034	
50	5.0	2	818	1636	
51	5.0	1	230	230	
52	5.0	1	1197	1197	
53	5.0	2	947	1894	
54	5.0	2	568	1136	
55	5.0	2	546	1092	
56	5.0	4	764	3056	
57	5.0	4	768	3072	
58	5.0	2	586	1172	
59	5.0	2	859	1718	
60	5.0	2	474	948	
61	5.0	1	531	531	
62	5.0	1	653	653	
63	5.0	1	1196	1196	
64	5.0	1	702	702	
65	5.0	1	1005	1005	
66	5.0	1	833	833	
67	5.0	2	449	898	
68	5.0	2	1196	2392	
69	5.0	2	797	1594	



#### Relação do aço

CASO	N	DIAM	Q	UNIT	C.TOTAL
1	5.0	1105	104	114520	
2	5.0	2	163	326	
3	5.0	4	834	3336	
4	5.0	2	174	348	
5	5.0	2	359	718	
6	5.0	2	217	434	
7	5.0	2	562	1124	
8	5.0	4	1060	4240	
9	5.0	4	1043	4172	
10	5.0	1	122	122	
11	5.0	2	225	450	
12	5.0	1	180	180	
13	5.0	2	190	380	
14	5.0	2	1198	2396	
15	5.0	4	1019	4076	
16	5.0	4	1018	4072	
17	5.0	2	936	1872	
18	5.0	2	1198	2396	
19	5.0	2	174	348	
20	5.0	2	1077	2154	
21	5.0	2	537	1074	
22	5.0	2	1198	2396	
23	5.0	2	835	1670	
24	5.0	2	835	1670	
25	5.0	2	1022	2044	
26	5.0	2	1022	2044	
27	5.0	2	1022	2044	
28	5.0	2	1022	2044	
29	5.0	2	1022	2044	
30	5.0	2	1022	2044	
31	5.0	2	1022	2044	
32	5.0	2	1022	2044	
33	5.0	2	384	768	
34	5.0	2	1198	2396	
35	5.0	2	1198	2396	
36	5.0	2	859	1718	
37	5.0	2	886	1772	
38	5.0	1	230	230	
39	5.0	1	230	230	
40	5.0	1	276	276	
41	5.0	1	439	439	
42	5.0	2	1198	2396	
43	5.0	2	1149	2298	
44	5.0	2	227	454	
45	5.0	2	1197	2394	
46	5.0	2	990	1980	
47	5.0	1	270	270	
48	5.0	2	1197	2394	
49	5.0	2	1017	2034	
50	5.0	2	818	1636	
51	5.0	1	230	230	
52	5.0	1	1197	1197	
53	5.0	2	947	1894	
54	5.0	2	568	1136	
55	5.0	2	546	1092	
56	5.0	4	764	3056	
57	5.0	4	768	3072	
58	5.0	2	586	1172	
59	5.0	2	859	1718	
60	5.0	2	474	948	
61	5.0	1	531	531	
62	5.0	1	653	653	
63	5.0	1	1196	1196	
64	5.0	1	702	702	
65	5.0	1	1005	1005	
66	5.0	1	833	833	
67	5.0	2	449	898	
68	5.0	2	1196	2392	
69	5.0	2	797	1594	



#### Relação do aço

CASO	N	DIAM	Q	UNIT	C.TOTAL
1	5.0	1105	104	114520	
2	5.0	2	163	326	
3	5.0	4	834	3336	
4	5.0	2	174	348	
5	5.0	2	359	718	
6	5.0	2	217	434	
7	5.0	2	562	1124	
8	5.0	4	1060	4240	
9	5.0	4	1043	4172	
10	5.0	1	122	122	
11	5.0	2	225	450	
12	5.0	1	180	180	
13	5.0	2	190	380	
14	5.0	2	1198	2396	
15	5.0	4	1019	4076	
16	5.0	4	1018	4072	
17	5.0	2	936	1872	
18	5.0	2	1198	2396	
19	5.0	2	174	348	
20	5.0	2	1077	2154	
21	5.0	2	537	1074	
22	5.0	2	1198	2396	
23	5.0	2	835	1670	
24	5.0	2	835	1670	
25	5.0	2	1022	2044	
26	5.0	2	1022	2044	
27	5.0	2	1022	2044	
28	5.0	2	1022	2044	
29	5.0	2	1022	2044	
30	5.0	2	1022	2044	
31	5.0	2	1022	2044	
32	5.0	2	1022	2044	
33	5.0	2	384	768	
34	5.0	2	1198	2396	
35	5.0	2	1198	2396	
36	5.0	2	859	1718	
37	5.0	2	886	1772	
38	5.0	1	230	230	
39	5.0	1	230	230	
40	5.0	1	276	276	
41	5.0	1	439	439	
42	5.0	2	1198	2396	
43	5.0	2	1149	2298	
44	5.0	2	227	454	
45	5.0	2	1197	2394	
46	5.0	2	990	1980	
47	5.0	1	270	270	
48	5.0	2	1197	2394	
49	5.0	2	1017	2034	
50	5.0	2	818	1636	
51	5.0	1	230	230	
52	5.0	1	1197	1197	
53	5.0	2	947	1894	
54	5.0	2	568	1136	
55	5.0	2	546	1092	
56	5.0	4	764	3056	
57	5.0	4	768	3072	
58	5.0	2	586	1172	
59	5.0	2	859	1718	
60	5.0	2	474	948	
61	5.0	1	531	531	
62	5.0	1	653	653	
63	5.0	1	1196	1196	
64	5.0	1	702	702	
65	5.0	1	1005	1005	
66	5.0	1	833	833	
67	5.0	2	449	898	
68	5.0	2	1196	2392	
69	5.0	2	797	1594	

